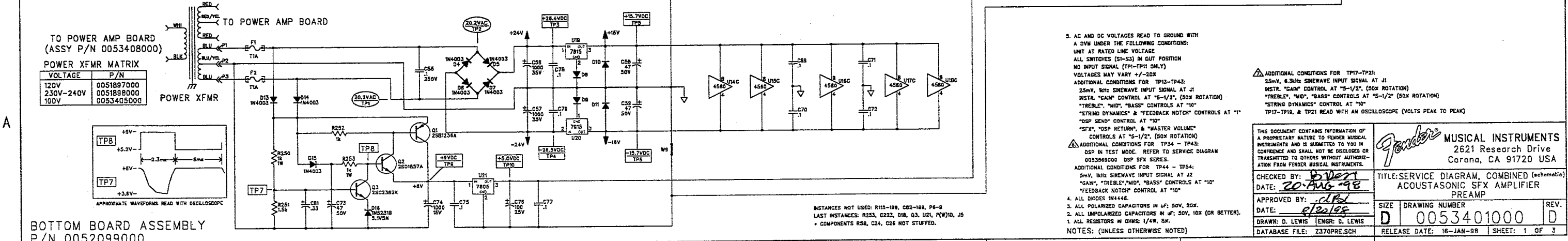
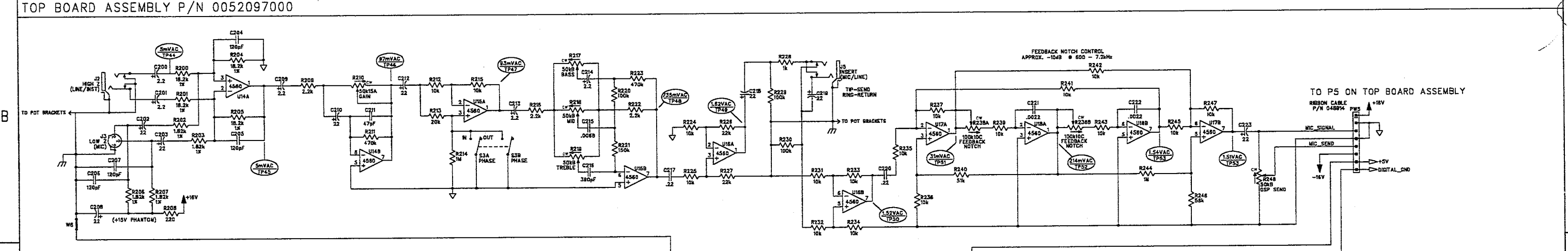
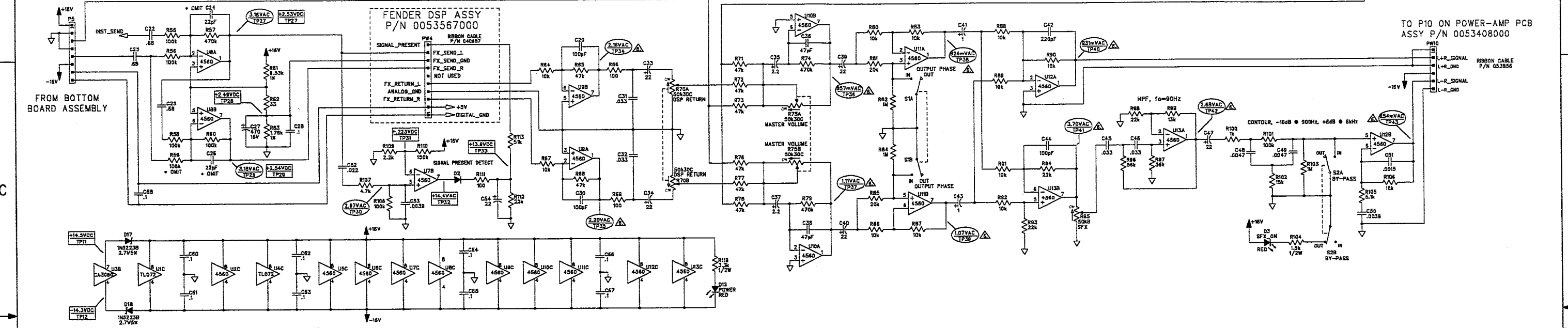
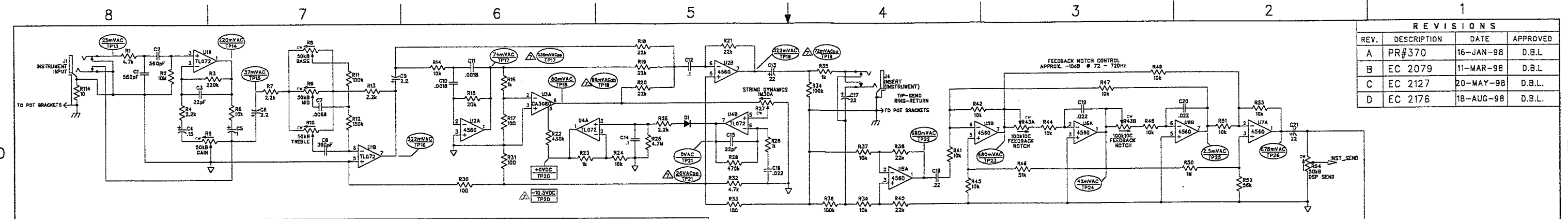
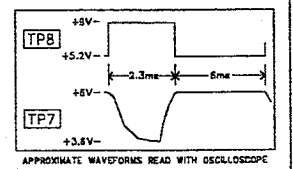


REVISIONS			
REV.	DESCRIPTION	DATE	APPROVED
A	PR#370	16-JAN-98	D.B.L.
B	EC 2079	11-MAR-98	D.B.L.
C	EC 2127	20-MAY-98	D.B.L.
D	EC 2176	18-AUG-98	D.B.L.



TO POWER AMP BOARD (ASSY P/N 0053408000)

VOLTAGE	P/N
120V	0051897000
230V-240V	0051898000
100V	0053405000



5. AC AND DC VOLTAGES READ TO GROUND WITH A DVM UNDER THE FOLLOWING CONDITIONS:
 UNIT AT RATED LINE VOLTAGE
 ALL SWITCHES (S1-S3) IN OUT POSITION
 NO INPUT SIGNAL (TP1-TP11 ONLY)
 VOLTAGES MAY VARY +/- 20%
- ADDITIONAL CONDITIONS FOR TP12-TP21:
 25mV, 8.3kHz SINEWAVE INPUT SIGNAL AT J1
 INSTR. "GAIN" CONTROL AT "5-1/2" (50% ROTATION)
 "TREBLE", "MID", "BASS" CONTROLS AT "10"
 "STRING DYNAMICS" & "FEEDBACK NOTCH" CONTROLS AT "1"
 "DSP SEND" CONTROL AT "10"
 "SFX", "DSP RETURN", & "MASTER VOLUME" CONTROLS AT "5-1/2" (50% ROTATION)
- ADDITIONAL CONDITIONS FOR TP34 - TP43:
 DSP IN TEST MODE. REFER TO SERVICE DIAGRAM 0053569000 DSP SFX SERIES.
- ADDITIONAL CONDITIONS FOR TP44 - TP54:
 5mV, 1kHz SINEWAVE INPUT SIGNAL AT J2
 "GAIN", "TREBLE", "MID", "BASS" CONTROLS AT "10"
 "FEEDBACK NOTCH" CONTROL AT "10"
4. ALL DIODES 1N4148.
 2. ALL POLARIZED CAPACITORS IN uF; 50V, 10% (OR BETTER).
 1. ALL RESISTORS IN OHMS 1/4W, 5%.
- NOTES: (UNLESS OTHERWISE NOTED)

ADDITIONAL CONDITIONS FOR TP17-TP21:
 25mV, 8.3kHz SINEWAVE INPUT SIGNAL AT J1
 INSTR. "GAIN" CONTROL AT "5-1/2" (50% ROTATION)
 "TREBLE", "MID", "BASS" CONTROLS AT "5-1/2" (50% ROTATION)
 "STRING DYNAMICS" CONTROL AT "10"
 TP17-TP18, & TP21 READ WITH AN OSCILLOSCOPE (VOLTS PEAK TO PEAK)

THIS DOCUMENT CONTAINS INFORMATION OF A PROPRIETARY NATURE TO FENDER MUSICAL INSTRUMENTS AND IS SUBMITTED TO YOU IN CONFIDENCE AND SHALL NOT BE DISCLOSED OR TRANSMITTED TO OTHERS WITHOUT AUTHORIZATION FROM FENDER MUSICAL INSTRUMENTS.

CHECKED BY: *B. West*
 DATE: 20-AUG-98

APPROVED BY: *D.L.*
 DATE: 8/20/98

DRAWN: D. LEWIS ENGR: D. LEWIS
 DATABASE FILE: Z370PRE.SCH

MUSICAL INSTRUMENTS
 2621 Research Drive
 Corona, CA 91720 USA

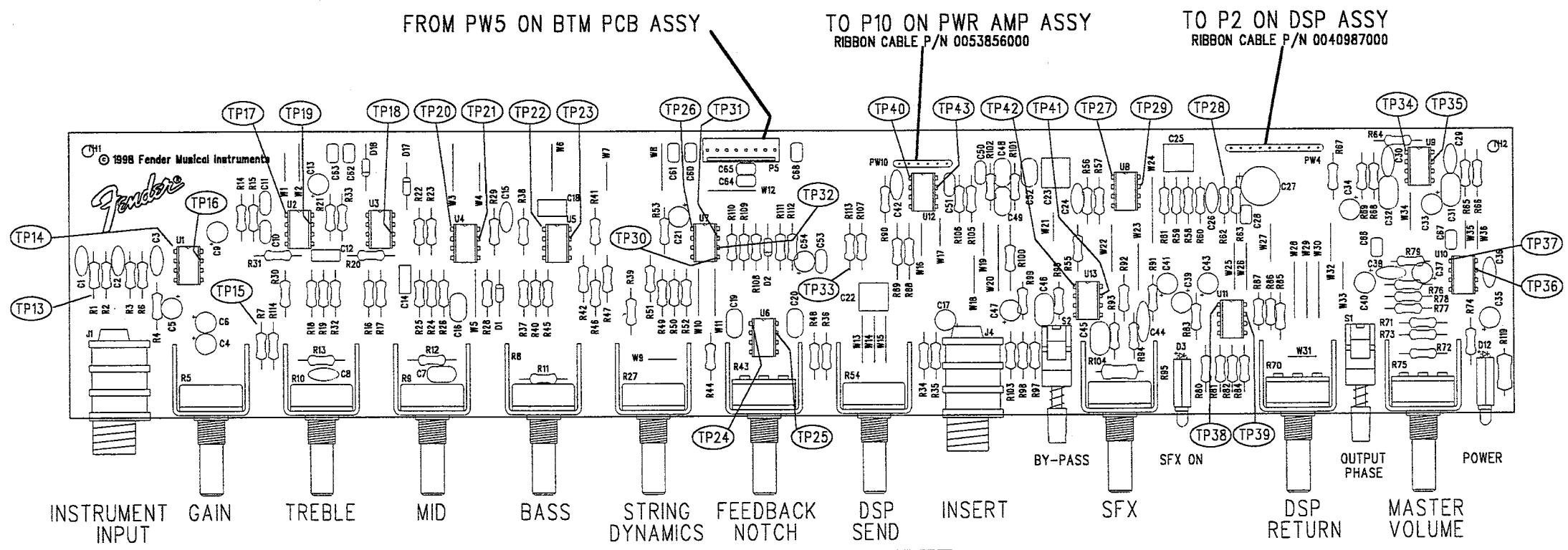
TITLE: SERVICE DIAGRAM, COMBINED (acoustic)
 ACOUSTASONIC SFX AMPLIFIER
 PREAMP

SIZE: D
 DRAWING NUMBER: 0053401000
 REV. D

RELEASE DATE: 16-JAN-98
 SHEET: 1 OF 3

INSTANCES NOT USED: R115-119, C22-100, P6-8
 LAST INSTANCES: R233, C223, D18, Q3, U21, P/W10, J5
 * COMPONENTS R50, C24, C26 NOT STUFFED.

REVISIONS			
REV.	DESCRIPTION	DATE	APPROVED
A	PR#370	16-JAN-98	D.B.L.
B	EC 2079	11-MAR-98	D.B.L.
C	EC 2127	20-MAY-98	D.B.L.
D	EC 2176	18-AUG-98	D.B.L.



FILM/DWG: SERVICE DIAGRAM
 DATABASE: Z370TOP.PCB DATE: 18-AUG-98

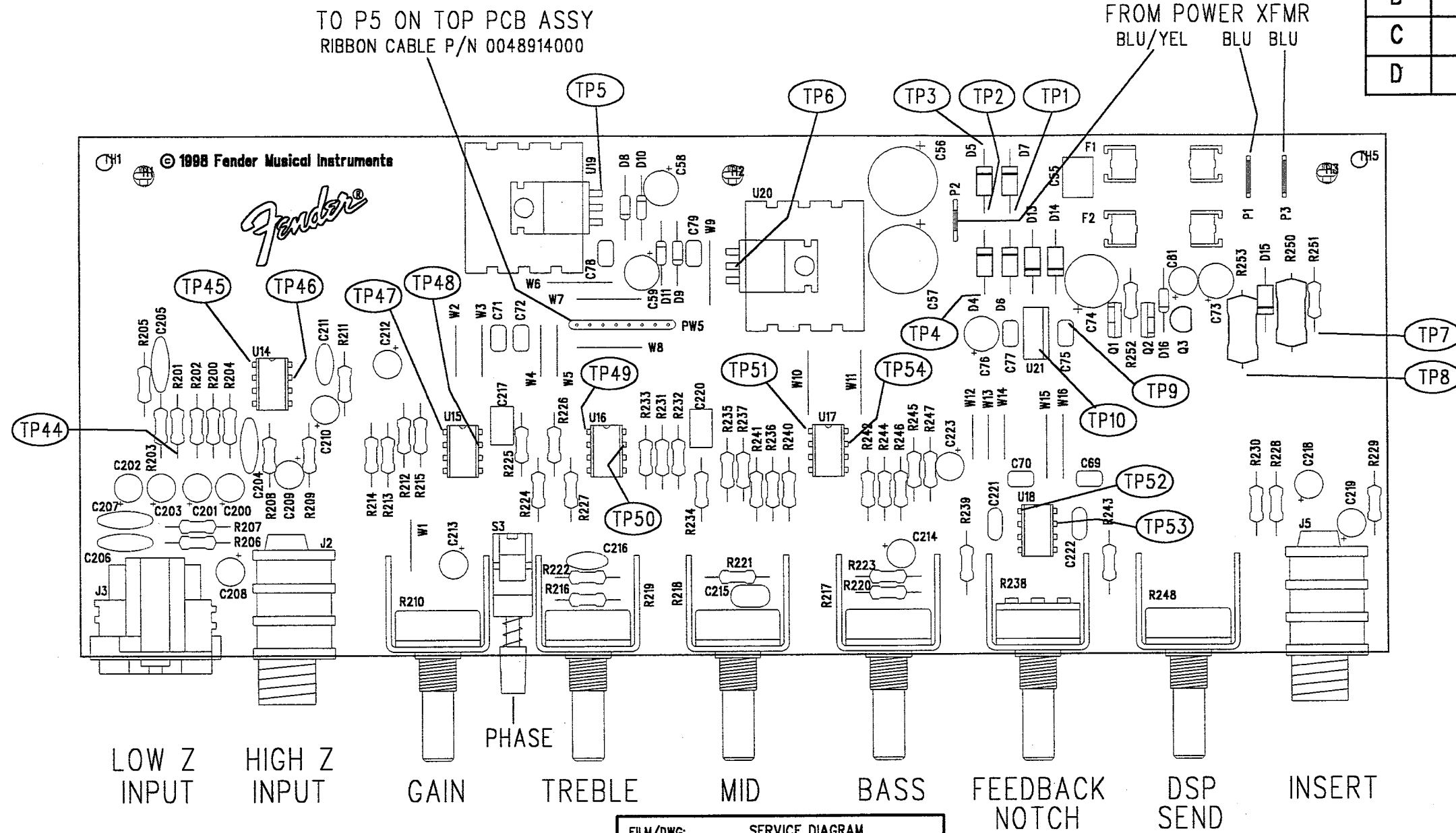
- 3. COMPONENTS R59, C24, C26 NOT STUFFED.
- 2. SEE SHEET 3 FOR TP1-10 AND TP44-54.
- 1. SEE SHEET 1 FOR TEST CONDITIONS AND TEST POINT VALUES.

NOTES: (UNLESS OTHERWISE NOTED)

THIS DOCUMENT CONTAINS INFORMATION OF A PROPRIETARY NATURE TO FENDER MUSICAL INSTRUMENTS AND IS SUBMITTED TO YOU IN CONFIDENCE AND SHALL NOT BE DISCLOSED OR TRANSMITTED TO OTHERS WITHOUT AUTHORIZATION FROM FENDER MUSICAL INSTRUMENTS.		MUSICAL INSTRUMENTS 2621 Research Drive Corona, CA 91720 USA	
CHECKED BY: <i>B. Den</i> DATE: <i>20-AUG-98</i>		TITLE: SERVICE DIAGRAM, COMBINED (PCB assy) ACOUSTASONIC SFX AMPLIFIER PREAMP TOP	
APPROVED BY: <i>dlc</i> DATE: <i>8/20/98</i>		SIZE: C	DRAWING NUMBER: 0053401000
DRAWN: D. LEWIS ENGR: D. LEWIS		RELEASE DATE: 16-JAN-98	SHEET 2 OF 3
DATABASE FILE: Z370TOP.PCB			

REVISIONS

REV.	DESCRIPTION	DATE	APPROVED
A	PR#370	16-JAN-98	D.B.L.
B	EC 2079	11-MAR-98	D.B.L.
C	EC 2127	20-MAY-98	D.B.L.
D	EC 2176	18-AUG-98	D.B.L.



FILM/DWG: SERVICE DIAGRAM
 DATABASE: Z370BTM.PCB DATE: 18-AUG-98

2. SEE SHEET 2 FOR TP11 - TP43 LOCATIONS.
 1. SEE SHEET 1 FOR TEST CONDITIONS AND TEST POINT VALUES.

NOTES: (UNLESS OTHERWISE NOTED)

THIS DOCUMENT CONTAINS INFORMATION OF A PROPRIETARY NATURE TO FENDER MUSICAL INSTRUMENTS AND IS SUBMITTED TO YOU IN CONFIDENCE AND SHALL NOT BE DISCLOSED OR TRANSMITTED TO OTHERS WITHOUT AUTHORIZATION FROM FENDER MUSICAL INSTRUMENTS.

Fender MUSICAL INSTRUMENTS
 2621 Research Drive
 Corona, CA 91720 USA

CHECKED BY: BD
 DATE: 20 Aug '98

TITLE: SERVICE DIAGRAM, COMBINED (PCB assy)
 ACOUSTASONIC SFX AMPLIFIER
 PREAMP BTM

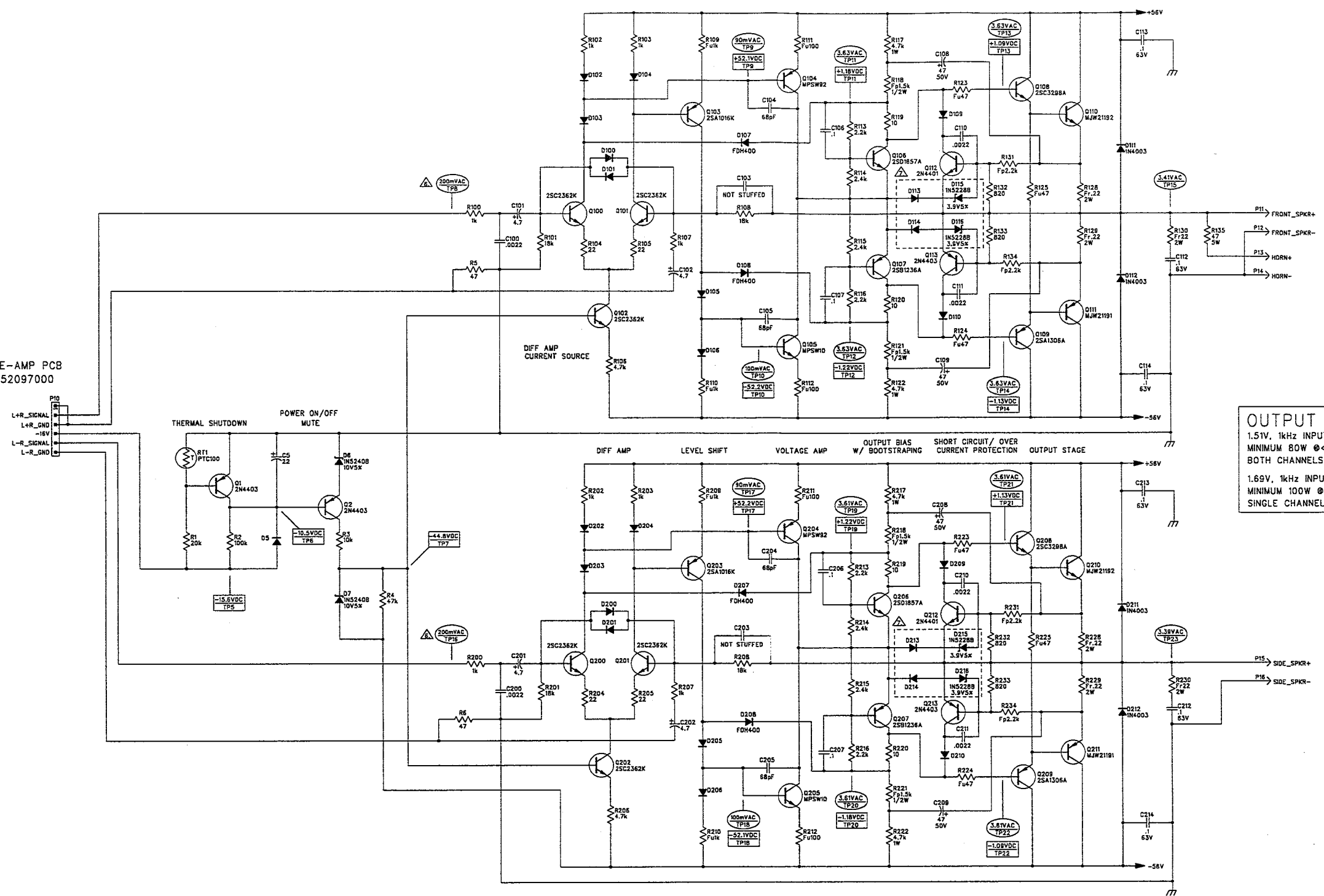
APPROVED BY: dbl
 DATE: 8/20/98

SIZE	DRAWING NUMBER	REV.
B	0053401000	D

DRAWN: D. LEWIS ENGR: D. LEWIS
 DATABASE FILE: Z370BTM.PCB

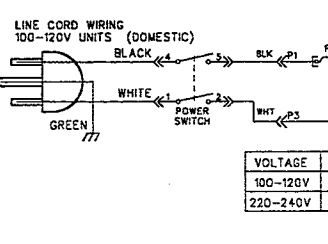
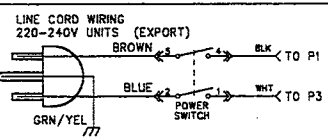
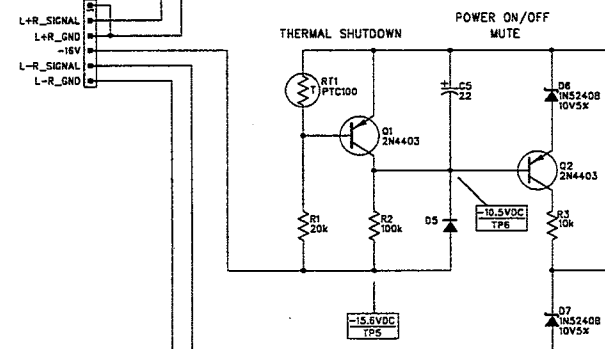
RELEASE DATE: 16-JAN-98 SHEET 3 OF 3

REVISIONS			
REV.	DESCRIPTION	DATE	APPROVED
A	PR#370	16-JAN-98	D.B.L.
B	EC 2065	05-FEB-98	D.B.L.
C	EC 2084	17-APR-98	D.B.L.
D	EC 2190	19-NOV-98	D.B.L.

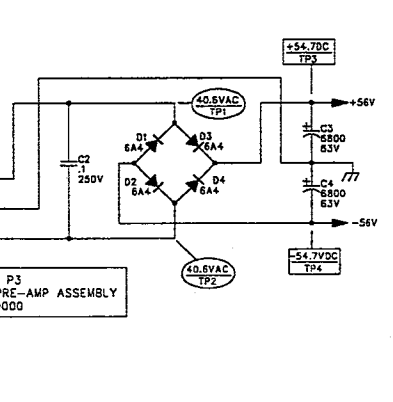
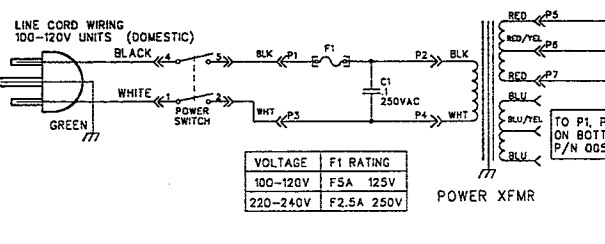


OUTPUT POWER:
 1.5V, 1kHz INPUT AT TP8 & TP16. (SEE NOTE 5.)
 MINIMUM 80W @ $0.07\times$ THD PER CHANNEL INTO 8 ohm RESISTIVE LOADS.
 BOTH CHANNELS DRIVEN, @ RATED LINE VOLTAGE.
 1.69V, 1kHz INPUT AT TP8 OR TP16. (SEE NOTE 5.)
 MINIMUM 100W @ $0.1\times$ THD INTO 8 ohm RESISTIVE LOAD.
 SINGLE CHANNEL DRIVEN, @ RATED LINE VOLTAGE.

FROM TOP PRE-AMP PCB
 ASSY P/N 0052097000
 (PW10)



VOLTAGE	P/N
100V	0053405000
120V	0051897000
220V-240V	0051898000



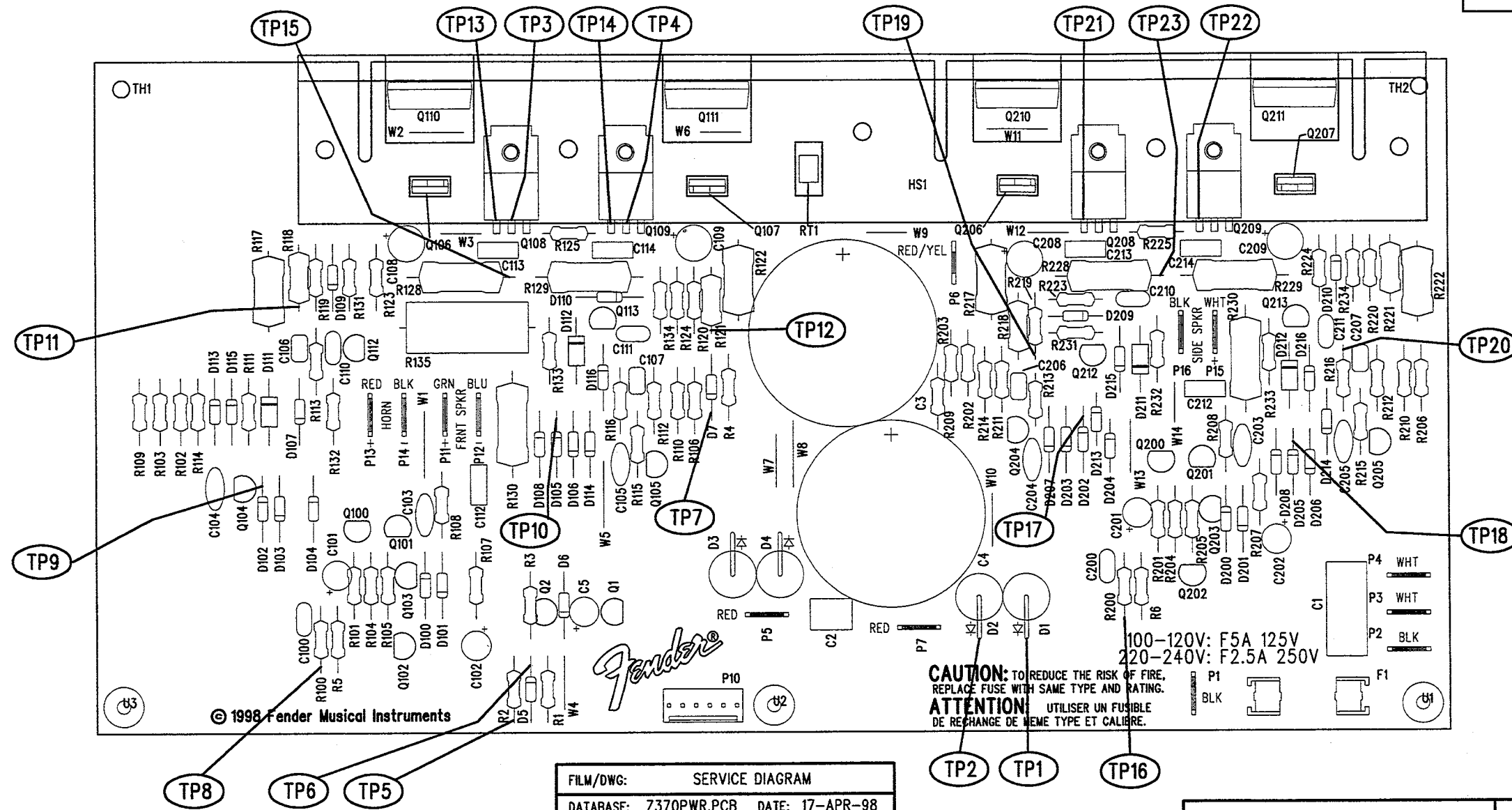
COMPONENTS: C103, C203, D113-D116, D213-D216 NOT STUFFED.
 INSTANCES NOT USED: R7-R9, R136-R139, C6-C9, D8-D9, C115-C119, D117-D119, P8-P9, Q3-Q99
 LAST INSTANCES: R230, C214, D216, Q213, P16

- COMPONENTS ENCLOSED IN DASHED LINES NOT STUFFED.
- AC AND DC VOLTAGES READ TO GROUND WITH A DVX UNDER THE FOLLOWING CONDITIONS:
 UNIT AT RATED LINE VOLTAGE.
 8 ohm RESISTIVE LOADS CONNECTED AT PH-P12, P15-P16
 PRE-AMP DISCONNECTED (P10).
 -18VDC REFERENCE CONNECTED AT TP5.
 NO INPUT SIGNAL (EPT1-TP7 ONLY).
 ADDITIONAL CONDITIONS FOR TP8-TP23:
 TP8-TP15 ONLY: INPUT 200mV, 1kHz SINEWAVE FROM TP8 (+) TO GND (-).
 TP16-TP23 ONLY: INPUT 200mV, 1kHz SINEWAVE FROM TP16 (+) TO GND (-).
- THIS SCHEMATIC IS FOR PCB FABRICATION P/N 0053407000 AND PCB ASSEMBLY P/N 0053408000.
 - ALL POLARIZED CAPACITORS IN uF, 20% SOX MINIMUM.
 - ALL DIODES ARE 1N4448.
 - ALL UNPOLARIZED CAPACITORS IN uF, 10% OR BETTER; 50V MINIMUM. (POWER SUPPLY BYPASS CAPACITORS ARE 20%).
 - ALL RESISTORS IN OHMS, 5% 1/4W
- NOTES: (UNLESS OTHERWISE NOTED)

THIS DOCUMENT CONTAINS INFORMATION OF A PROPRIETARY NATURE TO FENDER MUSICAL INSTRUMENTS AND IS SUBMITTED TO YOU IN CONFIDENCE AND SHALL NOT BE DISCLOSED OR TRANSMITTED TO OTHERS WITHOUT AUTHORIZATION FROM FENDER MUSICAL INSTRUMENTS.		Fender MUSICAL INSTRUMENTS 2621 Research Drive Corona, CA 91720 USA	
CHECKED BY: <u>B. D. Lewis</u> DATE: <u>11/19/98</u>	TITLE: SERVICE DIAGRAM, COMBINED (schematic) ACOUSTASONIC SFX AMPLIFIER POWER AMP		
APPROVED BY: <u>DBL</u> DATE: <u>11/19/98</u> DRAWN: D. LEWIS ENGR: D. LEWIS DATABASE FILE: Z370PWR.SCH	SIZE: <u>D</u> DRAWING NUMBER: <u>0053409000</u>	REV. <u>D</u> RELEASE DATE: <u>16-JAN-98</u>	SHEET: <u>1</u> OF <u>2</u>

REVISIONS

REV.	DESCRIPTION	DATE	APPROVED
A	PR#370	16-JAN-98	D.B.L
B	EC 2065	04-FEB-98	D.B.L.
C	EC 2084	17-APR-98	D.B.L.
D	EC 2190	19-NOV-98	D.B.L.



© 1998 Fender Musical Instruments

FILM/DWG: SERVICE DIAGRAM
 DATABASE: Z370PWR.PCB DATE: 17-APR-98

THIS DOCUMENT CONTAINS INFORMATION OF A PROPRIETARY NATURE TO FENDER MUSICAL INSTRUMENTS AND IS SUBMITTED TO YOU IN CONFIDENCE AND SHALL NOT BE DISCLOSED OR TRANSMITTED TO OTHERS WITHOUT AUTHORIZATION FROM FENDER MUSICAL INSTRUMENTS.

Fender MUSICAL INSTRUMENTS
 2621 Research Drive
 Corona, CA 91720 USA

CHECKED BY: B Pen
 DATE: 19-NOV-98

TITLE: SERVICE DIAGRAM, COMBINED (PCB assy)
 ACOUSTASONIC SFX AMPLIFIER
 POWER AMP

APPROVED BY: DBL
 DATE: 11/19/98

SIZE	DRAWING NUMBER	REV.
B	0053409000	D

DRAWN: D. LEWIS ENGR: D. LEWIS
 DATABASE FILE: Z370PWR.PCB

RELEASE DATE: 16-JAN-98 SHEET 2 OF 2

2. COMPONENTS C103, C203, D113-D116, & D213-D216 NOT STUFFED.
 1. SEE SHEET 1 FOR TEST CONDITIONS AND TEST POINT VALUES.
 NOTES: (UNLESS OTHERWISE NOTED)