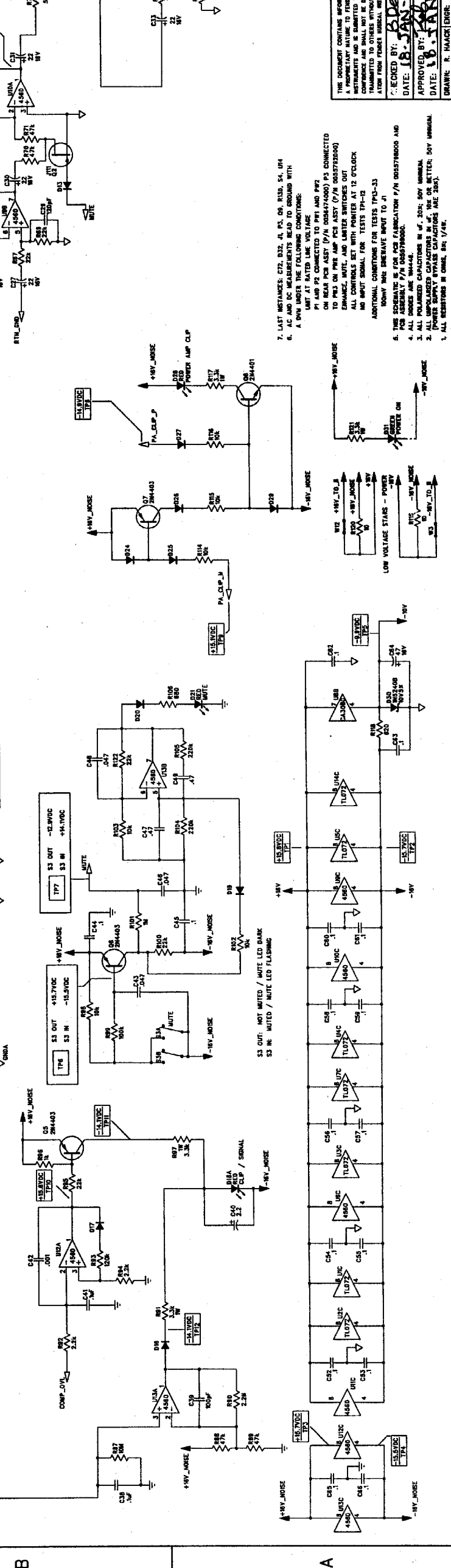
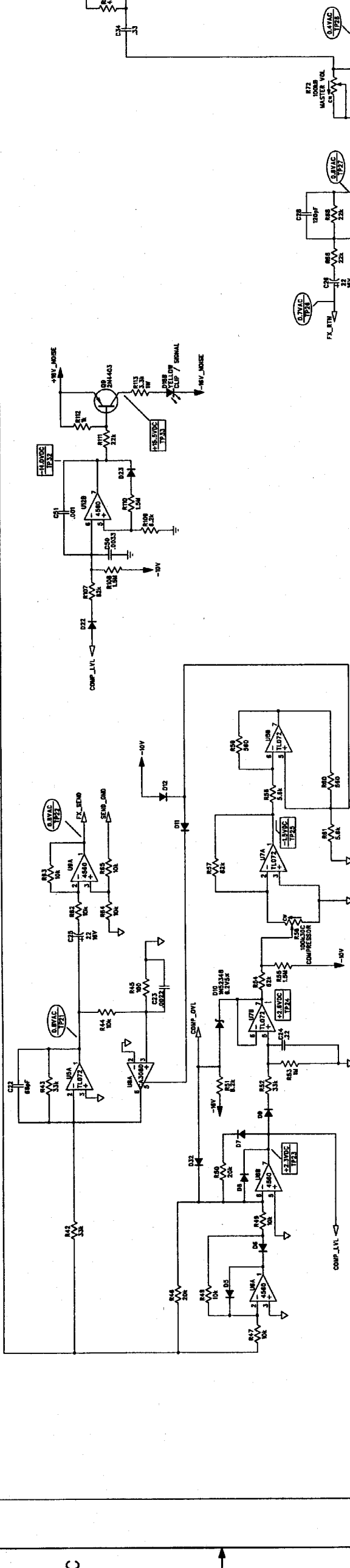
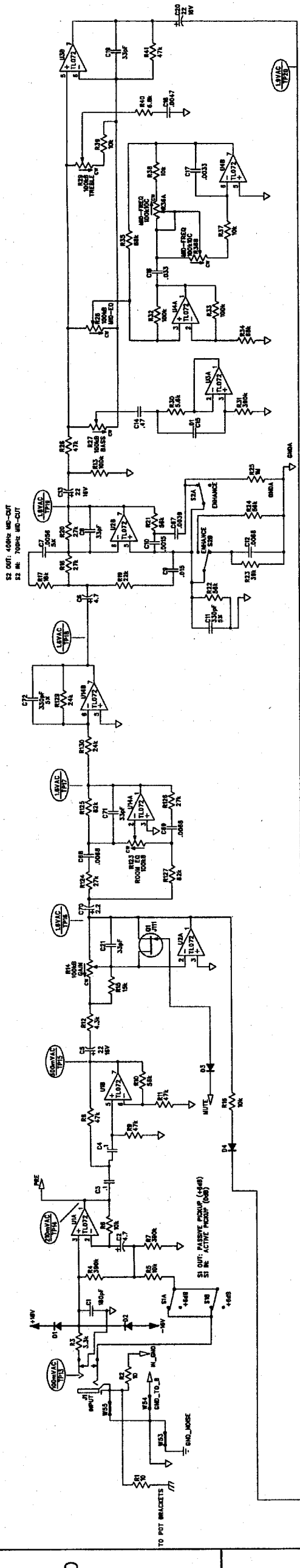
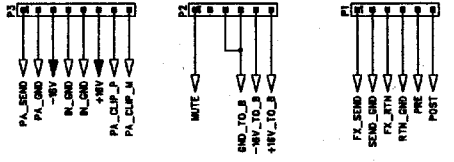


REV.	DESCRIPTION	DATE	APPROVED
A	PR419	17-JAN-00	R B H

REVISIONS	
1	REVISED TO ADD MUTE AND DARK LED DRIVERS
2	REVISED TO ADD MUTE AND DARK LED DRIVERS
3	REVISED TO ADD MUTE AND DARK LED DRIVERS
4	REVISED TO ADD MUTE AND DARK LED DRIVERS
5	REVISED TO ADD MUTE AND DARK LED DRIVERS
6	REVISED TO ADD MUTE AND DARK LED DRIVERS
7	REVISED TO ADD MUTE AND DARK LED DRIVERS
8	REVISED TO ADD MUTE AND DARK LED DRIVERS



MUSICAL INSTRUMENTS
 2621 Research Drive
 Corona, CA 91720 USA

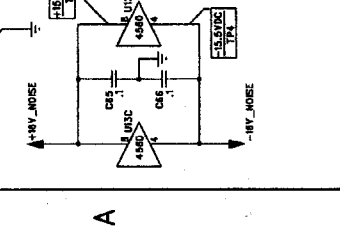
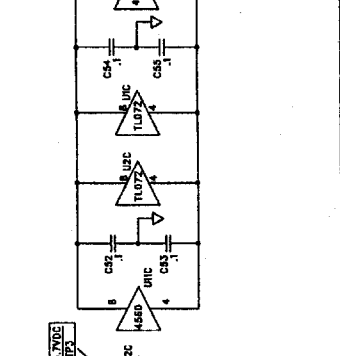
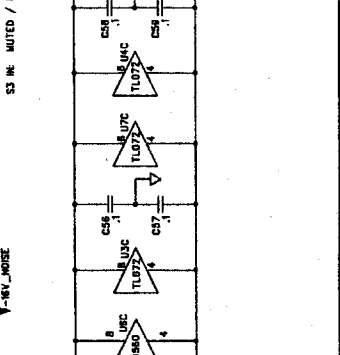
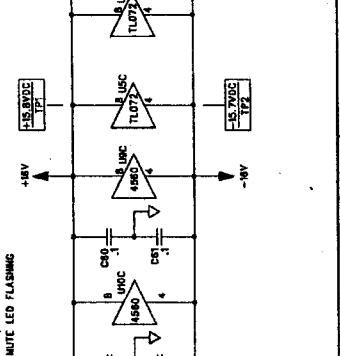
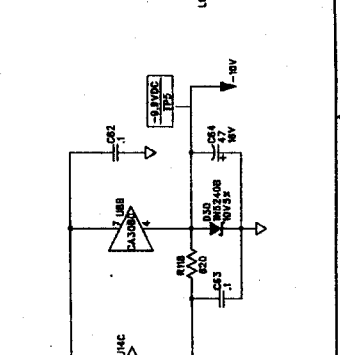
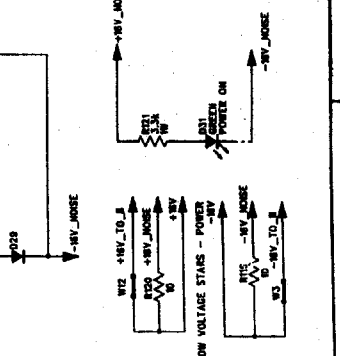
TITLE: SERVICE DIAGRAM COMBINED (schematic)
BASSMAN 200

DATE: 18-JAN-00
 APPROVED BY: RBH
 DATE: 18-JAN-00

SIZE DRAWING NUMBER: D 00580000
 REV. A

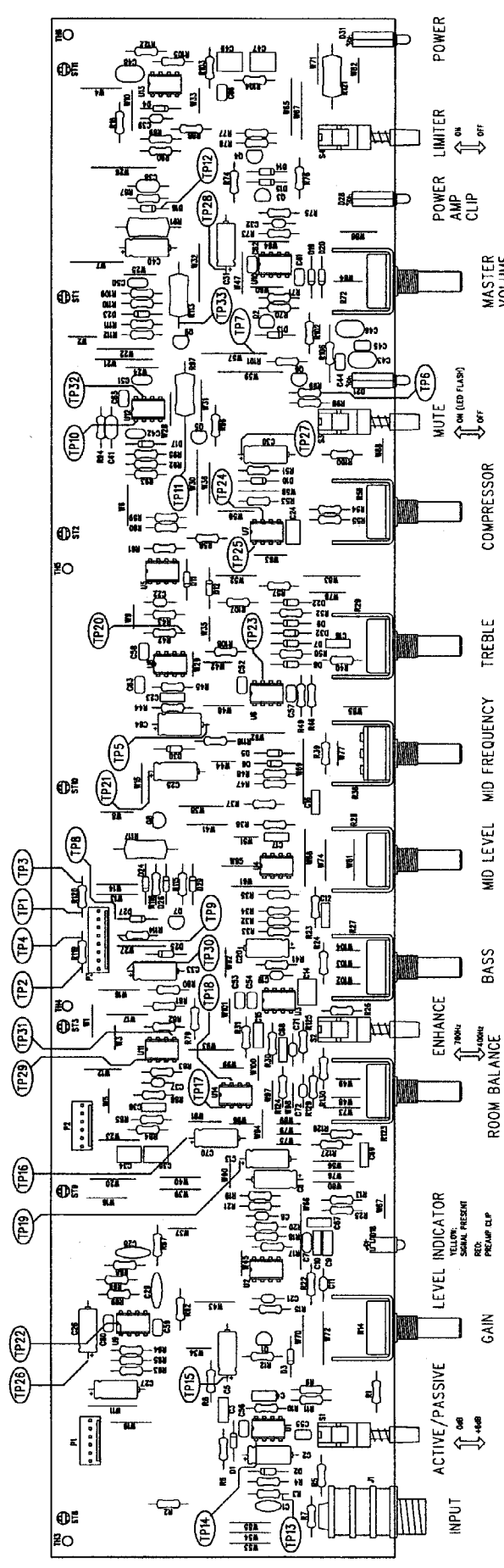
DRWING: R. HACKETT / R. HACKETT
 DATABASE FILE: 249551.SCH
 RELEASE DATE: 17-JAN-00
 SHEET: 1 OF 2

7. LAST INSTANCES: C72, D32, A1, P3, D4, R136, S4, D4
8. AC AND DC MEASUREMENTS READ TO GROUND WITH A 10K OHM UNLESS OTHERWISE NOTED.
9. ALL POLARIZED CAPACITORS IN #, 20V; 50V MINIMUM UNLESS OTHERWISE NOTED.
10. ALL RESISTORS IN OHMS, 1/K, UNLESS OTHERWISE NOTED.



1 2 3 4 5 6 7 8

REVISIONS			
REV.	DESCRIPTION	DATE	APPROVED
A	PR 419	17-JAN-00	R. B. H.



FILM/PCB SERVICE DIAGRAM
DATE: 17-JAN-00

MUSICAL INSTRUMENTS
2821 Research Drive
Corona, CA 91720 USA

TITLE: SERVICE DIAGRAM, COMBINED (PCB assy)
BASSMAN 200
PREAMP

CHECKED BY: R. B. H.
DATE: 18-JAN-00

APPROVED BY: [Signature]
DATE: 18-JAN-00

DRWG. # 2481PCB DATE: 17-JAN-00

DATA/FILE # 2481PCB

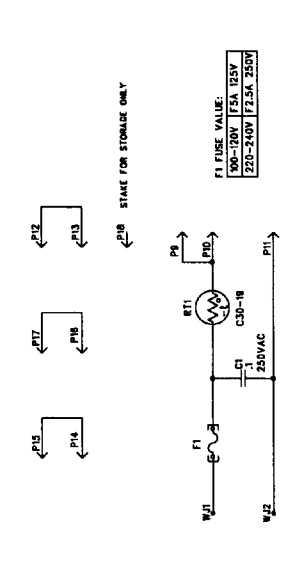
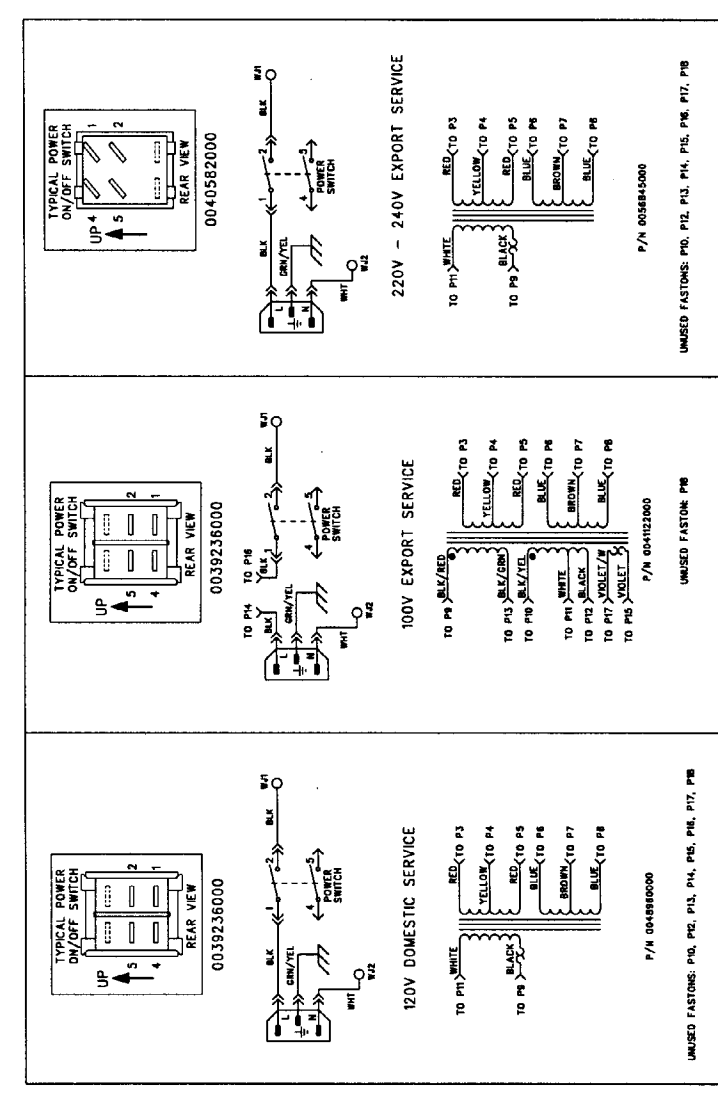
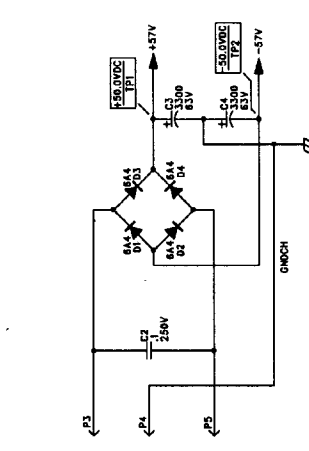
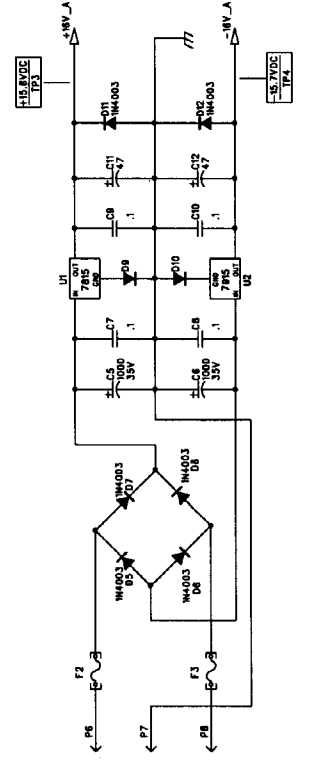
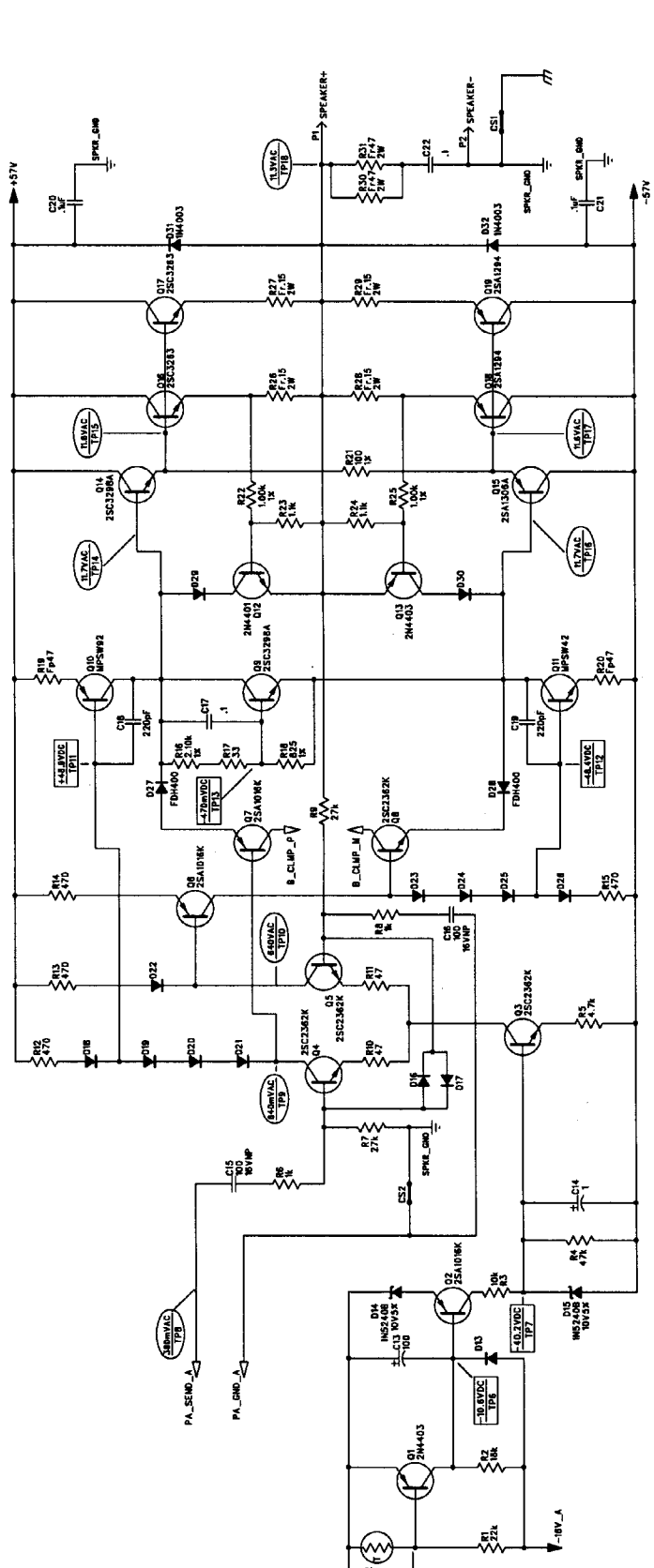
REV. A
DRAWING NUMBER 005580000
SHEET 2 OF 2

2. P1, P2, AND P3 CONNECT TO RIBBON CABLES FROM POWER AMP PCB ASSY (PMS) AND REAR PANEL PCB ASSEMBLY (PMT AND PMZ).
1. TEST FOR TEST CONDITIONS AND TEST POINT VALUES. NOTES: (UNLESS OTHERWISE NOTED)

REV.	DESCRIPTION	DATE	APPROVED
A	PR 419	17-JAN-00	R B H
B	EC 2468	24-APR-00	R B H
C	EC 2522	9-AUG-00	R B H

REV.	DESCRIPTION	DATE	APPROVED
A	PR 419	17-JAN-00	R B H
B	EC 2468	24-APR-00	R B H
C	EC 2522	9-AUG-00	R B H

OUTPUT POWER TEST:
 CONNECT A 100W SINEWAVE SIGNAL TO J1 (FRONT PANEL). SET MASTER VOLUME ON FRONT TO MAX. (CIRCUIT WITH A 100W LOAD CONNECTED TO P17 AND MASTER VOLUME RATED AC LINE INPUT. ADJUST INPUT SIGNAL TO YIELD 200 WATTS AT 400W THD.



- 7. LAST INSTANCES: C22, C23, C24, P3, P4, P5, P6, P7, P8, P9, P10, P11, P12, P13, P14, P15, P16, P17, P18
- 8. AC AND DC MEASUREMENTS READ TO GROUND WITH A DVM POWERED AT RATED LINE VOLTAGE AND FREQUENCY
- 9. 1 OHM RESISTIVE LOAD CONNECTED ACROSS P1-P2
- 10. TONE CONTROLS FOR TEST POINTS: T1-T6
- 11. PREAMP PCB ASSY SHOULD BE SET UP PER ITS SERVICE DIAGRAM (P/N 005579000)
- 12. INPUT 100W/AC RMS SINEWAVE INTO PREAMP PCB ASSY - J1 (P/N 005579000)
- 13. NOTE: P13 INTERCONNECTS TO P3 ON PREAMP PCB ASSY (P/N 005579000)
- 14. THIS SCHEMATIC IS FOR PCB P/N 005579000 AND PCB ASSY P/N 005579000.
- 15. ALL POLARIZED CAPACITORS IN JF, 200, 50V MINIMUM.
- 16. ALL POLARIZED ELECTROLYTIC CAPACITORS ARE 200V.
- 17. ALL RESISTORS IN OHMS, 5% TOL.

REV.	DESCRIPTION	DATE	APPROVED
A	PR 419	17-JAN-00	R B H
B	EC 2468	24-APR-00	R B H
C	EC 2522	9-AUG-00	R B H

MUSICAL INSTRUMENTS
 Corono, CA U. S. A.

TITLE: SERVICE DIAGRAM, COMBINED (Schematic)
 BASSMAN 200
 POWER AMP

SIZE: D
 DRAWING NUMBER: 0055793000
 RELEASE DATE: 17-JAN-00 SHEET: 1 OF 2

1 2 3 4 5 6 7 8

D

C

B

A

D

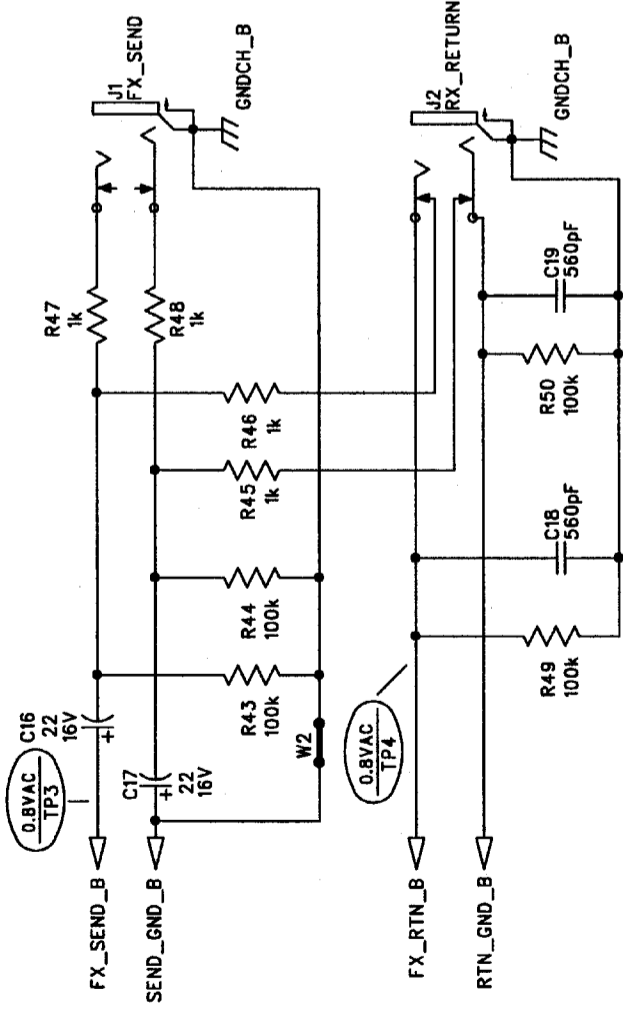
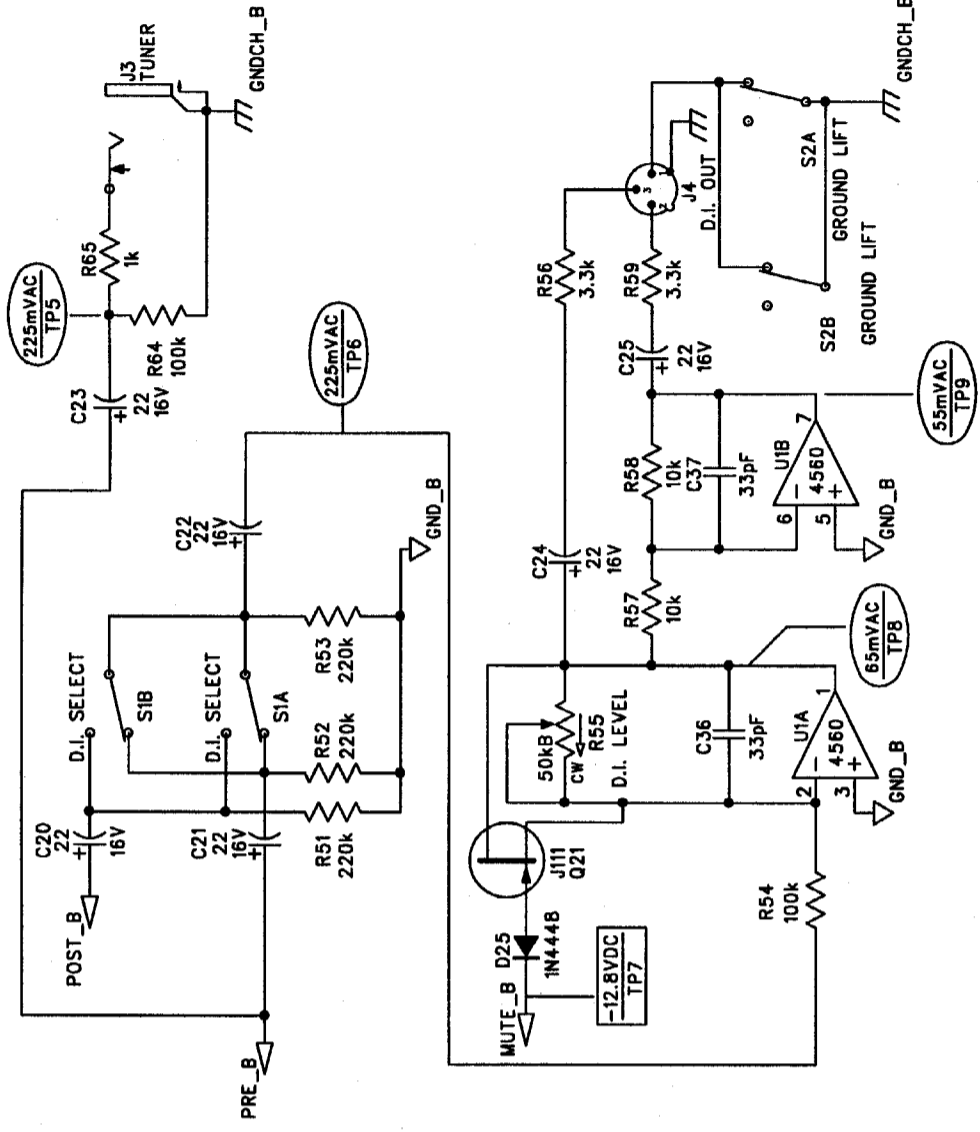
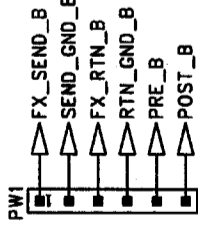
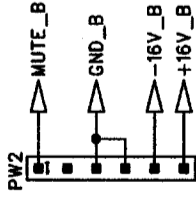
C

B

A

REVISIONS

REV.	DESCRIPTION	DATE	APPROVED
A	PR419	17-JAN-00	R B H



- 7. LAST INSTANCES: C37, D25, J4, PW2, Q21, R66, S1, U1
- 6. AC AND DC MEASUREMENTS READ TO GROUND WITH A DVM UNDER THE FOLLOWING CONDITIONS:
 UNIT IS POWERED AT RATED LINE VOLTAGE AND FREQUENCY
 PREAMP PCB ASSY SHOULD BE SET UP PER ITS SERVICE DIAGRAM (P/N 0055800000)
 R55 SET AT 50%
 REAR PANEL SWITCHES OUT
- 5. PW1 AND PW2 CONNECT TO P1 AND P2 ON PREAMP PCB ASSY (P/N 0055799000)
- 4. THIS SCHEMATIC IS FOR PCB FABRICATION P/N 0056475000 AND PCB ASSEMBLY P/N 0056474000.
- 3. ALL POLARIZED CAPACITORS IN μ F, 20%; 50V MINIMUM.
- 2. ALL UNPOLARIZED CAPACITORS IN μ F, 10% OR BETTER; 50V MINIMUM. (POWER SUPPLY BYPASS CAPACITORS ARE 20%).
- 1. ALL RESISTORS IN OHMS, 5%; 1/4W.



THIS DOCUMENT CONTAINS INFORMATION OF A PROPRIETARY NATURE TO FENDER MUSICAL INSTRUMENTS AND IS SUBMITTED TO YOU IN CONFIDENCE AND SHALL NOT BE DISCLOSED OR TRANSMITTED TO OTHERS WITHOUT AUTHORIZATION FROM FENDER MUSICAL INSTRUMENTS.

CHECKED BY: *[Signature]*
 DATE: 19-JAN-00
 APPROVED BY: *[Signature]*
 DATE: 19-JAN-00
 DRAWN: R. HAACK
 ENGR: R. HAACK
 DATABASE FILE: Z419S3.SCH

Fender MUSICAL INSTRUMENTS
 2621 Research Drive
 Corona, CA 91720 USA

TITLE: SERVICE DIAGRAM, COMBINED (schematic)
 BASSMAN 200
 REAR PANEL PCB

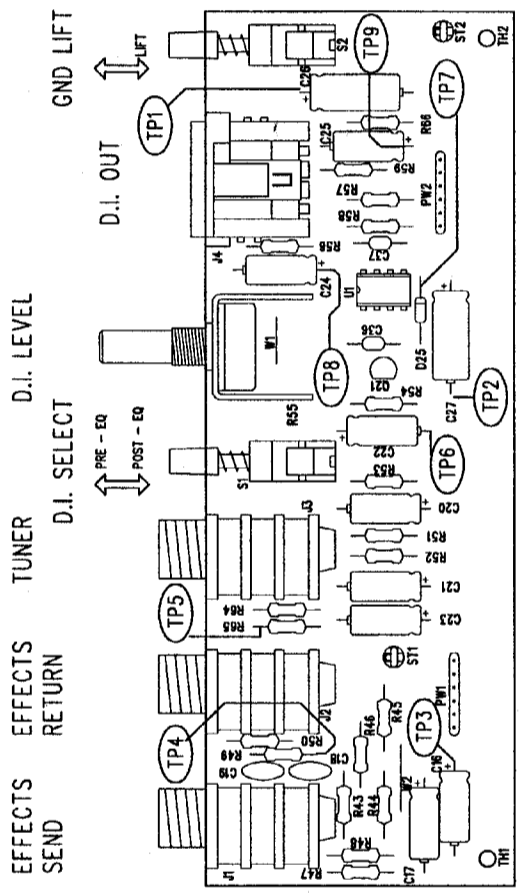
SIZE: **B** DRAWING NUMBER: **0056473000** REV. **A**

RELEASE DATE: 17-JAN-00 SHEET: 1 OF 2

8 7 6 5 4 3 2 1

D C B A

REVISIONS			
REV.	DESCRIPTION	DATE	APPROVED
A	PR419	17-JAN-00	R B H



FLM/DWG: SERVICE DIAGRAM
 DATABASE: Z419P3.PCB DATE: 17-JAN-00

Fender
 MUSICAL INSTRUMENTS
 2621 Research Drive
 Corona, CA 91720 USA

THIS DOCUMENT CONTAINS INFORMATION OF A PROPRIETARY NATURE TO FENDER MUSICAL INSTRUMENTS AND IS SUBMITTED TO YOU IN CONFIDENCE AND SHALL NOT BE DISCLOSED OR TRANSMITTED TO OTHERS WITHOUT AUTHORIZATION FROM FENDER MUSICAL INSTRUMENTS.

CHECKED BY: *BURM*
 DATE: 19-JAN-00

APPROVED BY: *[Signature]*
 DATE: 19-JAN-00

DRAWN: R. HAACK ENGR: R. HAACK
 DATABASE FILE: Z419P3.PCB

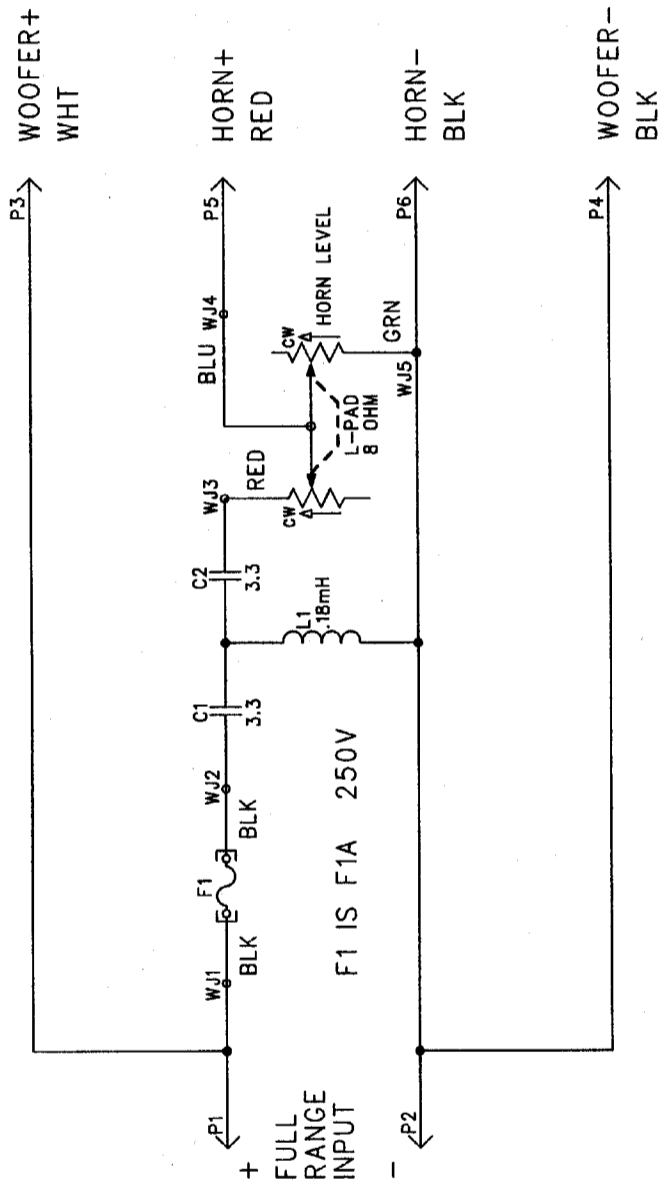
TITLE: SERVICE DIAGRAM, COMBINED (PCB Assy)
 BASSMAN 200
 REAR PCB

SIZE: C DRAWING NUMBER: 0056473000 REV. A
 RELEASE DATE: 17-JAN-00 SHEET 2 OF 2

2. RIBBON CABLES AT PW1 AND PW2 CONNECT TO PREAMP PCB ASSY (P1, P2 RESPECTIVELY)
1. SEE SHEET 1 FOR PRIMARY WIRING, TEST CONDITIONS, AND TEST POINT VALUES
- NOTES: (UNLESS OTHERWISE NOTED)

R E V I S I O N S

REV.	DESCRIPTION	DATE	APPROVED
A	PR412	23-AUG-99	dBL



THIS DOCUMENT CONTAINS INFORMATION OF A PROPRIETARY NATURE TO FENDER MUSICAL INSTRUMENTS AND IS SUBMITTED TO YOU IN CONFIDENCE AND SHALL NOT BE DISCLOSED OR TRANSMITTED TO OTHERS WITHOUT AUTHORIZATION FROM FENDER MUSICAL INSTRUMENTS.

CHECKED BY: blm
 DATE: 01-SEP-99
 APPROVED BY: dbl
 DATE: 9/1/99
 DRAWN: D. LEWIS ENGR: D. LEWIS
 DATABASE FILE: Z412S3.SCH

Fender MUSICAL INSTRUMENTS
 2621 Research Drive
 Corona, CA 91720 USA

TITLE: SERVICE DIAGRAM, COMBINED (schematic)
 BASSMAN AMPLIFIERS
 CROSSOVER

SIZE: B DRAWING NUMBER: 0055945000 REV. A
 RELEASE DATE: 25-AUG-99 SHEET: 1 OF 1

2. THIS SCHEMATIC IS FOR PCB FABRICATION P/N 0055804000 AND PCB ASSEMBLY P/N 0055803000.
 1. ALL UNPOLARIZED CAPACITORS IN μ F, 10% OR BETTER; 100V MINIMUM.

NOTES: (UNLESS OTHERWISE NOTED)