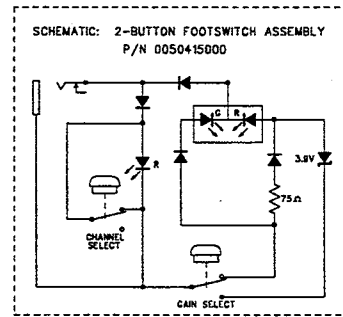
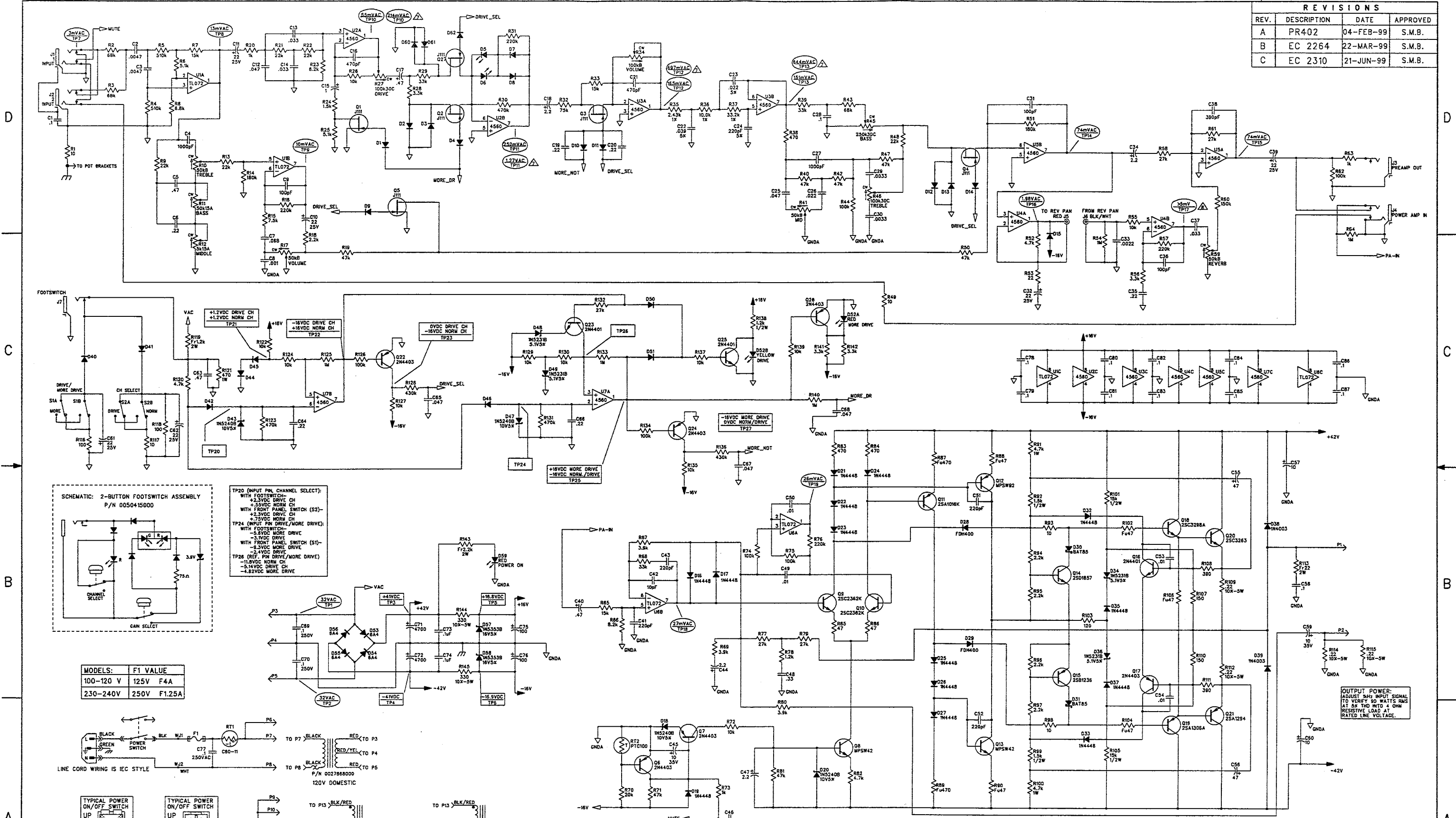
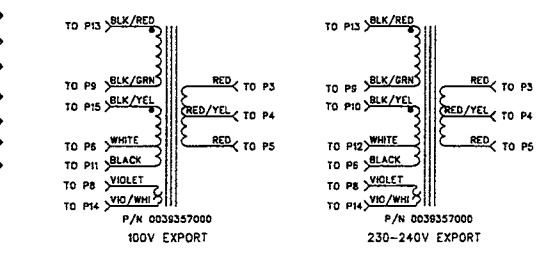
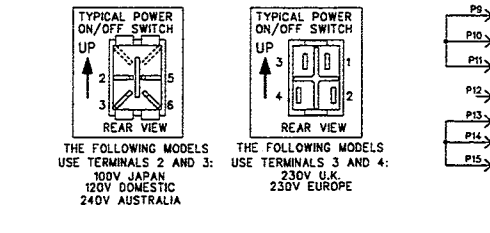
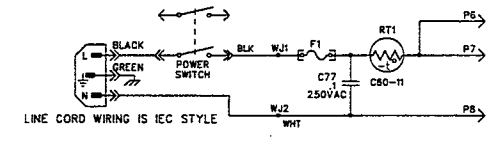


REVISIONS			
REV.	DESCRIPTION	DATE	APPROVED
A	PR402	04-FEB-99	S.M.B.
B	EC 2264	22-MAR-99	S.M.B.
C	EC 2310	21-JUN-99	S.M.B.



TP20 (INPUT PNL CHANNEL SELECT):
WITH FOOTSWITCH (S1)-
+1.2VDC DRIVE CH
+1.2VDC NORM CH
WITH FRONT PANEL SWITCH (S2)-
+2.3VDC DRIVE CH
+2.3VDC NORM CH
TP24 (INPUT PNL DRIVE/MORE DRIVE):
WITH FOOTSWITCH (S3)-
-5.6VDC MORE DRIVE
-5.6VDC DRIVE CH
WITH FRONT PANEL SWITCH (S1)-
-2.4VDC DRIVE
-2.4VDC MORE DRIVE
TP28 (REF. PNL DRIVE/MORE DRIVE):
-11.9VDC NORM CH
-2.14VDC DRIVE CH
-4.2VDC MORE DRIVE

MODELS:	F1 VALUE
100-120 V	125V F4A
230-240V	250V F1.25A



- LAST REFERENCE DESIGNATORS: C76, D62, J7, P15, Q26, R44, S2, TP21, U7, W59
 - TP17 VARIES AND IS DEPENDENT UPON SPECIFIC EXITATION FREQUENCY AND PARTICULAR REVERSE PNL FREQUENCY RESPONSE
 - ADDITIONAL CONDITION FOR TP10-TP13: DRIVE SELECT (S1) IN "RED"
 6. AC AND DC VOLTAGES READ TO GROUND WITH A DVM UNDER THE FOLLOWING CONDITIONS: UNIT AT RATED LINE VOLTAGE; NO INPUT SIGNAL (TP1-TP6, TP20-TP26 ONLY); VOLTAGES MAY VARY +/-20%
 - ADDITIONAL CONDITIONS FOR TP7-TP18: 3mV, 1kHz SINEWAVE INPUT SIGNAL AT J1; 4 OHM RESISTIVE LOAD AT P1-P2; CH SELECT (S2) IN "DRIVE SELECT (S1) OUT "YELLOW" DRIVE CONTROL AT "3" REVERSE CONTROL AT "1" ALL OTHER CONTROLS AT "5-1/2" (50% ROTATION)
 - THIS SCHEMATIC IS FOR PCB FABRICATION P/N 0054281000 AND PCB ASSEMBLY P/N 0054282000.
 - ALL DIODES ARE 1N4448.
 - ALL POLARIZED CAPACITORS IN uF, 20% 50V MINIMUM.
 - ALL UNPOLARIZED CAPACITORS IN uF, 10% OR BETTER; 50V MINIMUM. (POWER SUPPLY BYPASS CAPACITORS ARE 20%).
 - ALL RESISTORS IN OHMS, 5% 1/4W.
- NOTES: (UNLESS OTHERWISE NOTED)

THIS DOCUMENT CONTAINS INFORMATION OF A PROPRIETARY NATURE TO FENDER MUSICAL INSTRUMENTS AND IS SUBMITTED TO YOU IN CONFIDENCE AND SHALL NOT BE DISCLOSED OR TRANSMITTED TO OTHERS WITHOUT AUTHORIZATION FROM FENDER MUSICAL INSTRUMENTS.

Fender MUSICAL INSTRUMENTS
2621 Research Drive
Corona, CA 91720 USA

CHECKED BY: *B. Desi*
DATE: 22-JUN-99

APPROVED BY: *S. Bankhead*
DATE: 6-22-99

DRAWN: S.BANKHEAD ENGR: S.BANKHEAD
DATABASE FILE: 2402S.SCH

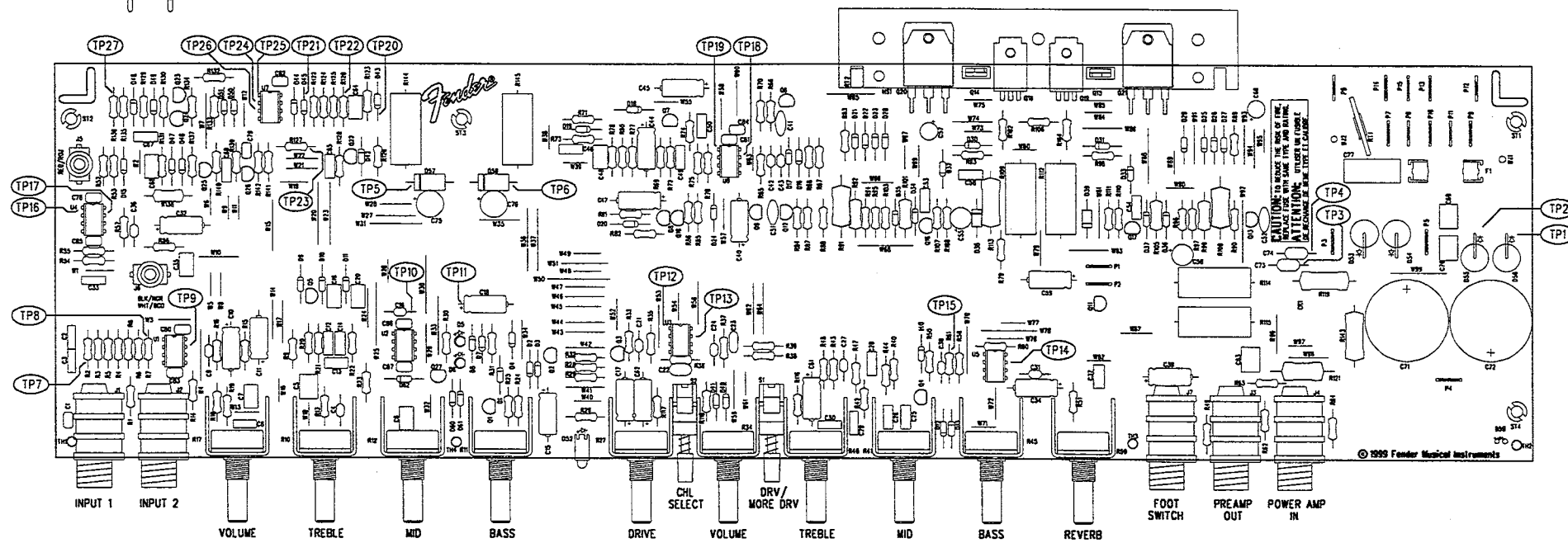
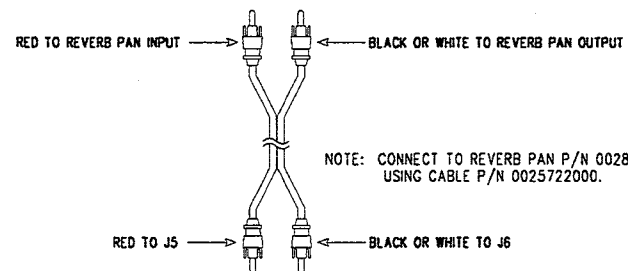
TITLE: SERVICE DIAGRAM, COMBINED (schematic)

DELUXE 90 AMPLIFIER

SIZE	DRAWING NUMBER	REV.
D	0054284000	C

RELEASE DATE: 03-FEB-99 SHEET: 1 OF 2

REVISIONS			
REV.	DESCRIPTION	DATE	APPROVED
A	PR402	03-FEB-99	S.M.B.
B	EC 2264	03-MAR-99	S.M.B.
C	EC 2310	21-JUN-99	S.M.B.



FILM/REV: SERVICE DIAGRAM
 DATABASE: Z402P.PCB DATE: 21-JUN-99

ATTENTION: THESE WIRING DIAGRAMS ARE FOR THE SAME TYPE AND DATE OF BOARD. PLEASE REFER TO THE ATTENTION LABEL ON THE BOARD FOR THE CORRECT WIRING DIAGRAM.

© 1999 Fender Musical Instruments

1. SEE SHEET 1 FOR PRIMARY WIRING, TEST CONDITIONS & TEST POINT VALUES.

NOTES: (UNLESS OTHERWISE NOTED)

THIS DOCUMENT CONTAINS INFORMATION OF A PROPRIETARY NATURE TO FENDER MUSICAL INSTRUMENTS AND IS SUBMITTED TO YOU IN CONFIDENCE AND SHALL NOT BE DISCLOSED OR TRANSMITTED TO OTHERS WITHOUT AUTHORIZATION FROM FENDER MUSICAL INSTRUMENTS.		MUSICAL INSTRUMENTS 2621 Research Drive Corona, CA 91720 USA	
CHECKED BY: <i>B. Veng</i>	DATE: <i>22-JUN-99</i>	TITLE: SERVICE DIAGRAM, COMBINED (PCB assy) DELUXE 90 AMPLIFIER	
APPROVED BY: <i>S. Bland</i>	DATE: <i>6-22-99</i>	SIZE: D DRAWING NUMBER: 0054284000	REV: C
DRAWN: RMURRAY	ENGR: SBANDHEAD	RELEASE DATE: 03-FEB-99	SHEET 2 OF 2
DATABASE FILE: Z402P.PCB			